



CALIBRE PANEL

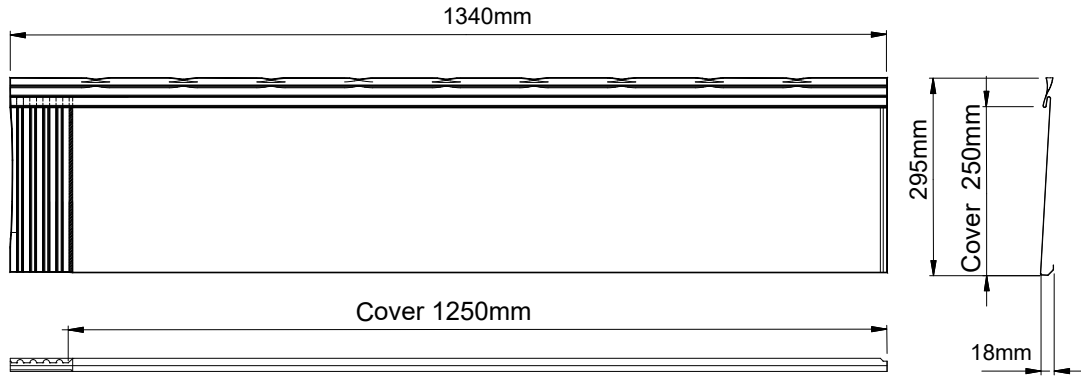
Product Specification Detail On Plywood Substrate

Date: 2024

NZ: gerardroofs.co.nz
customerservice@gerardroofs.co.nz

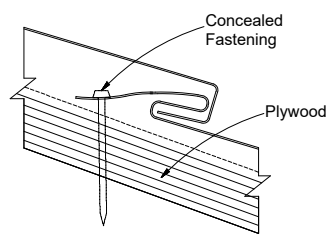
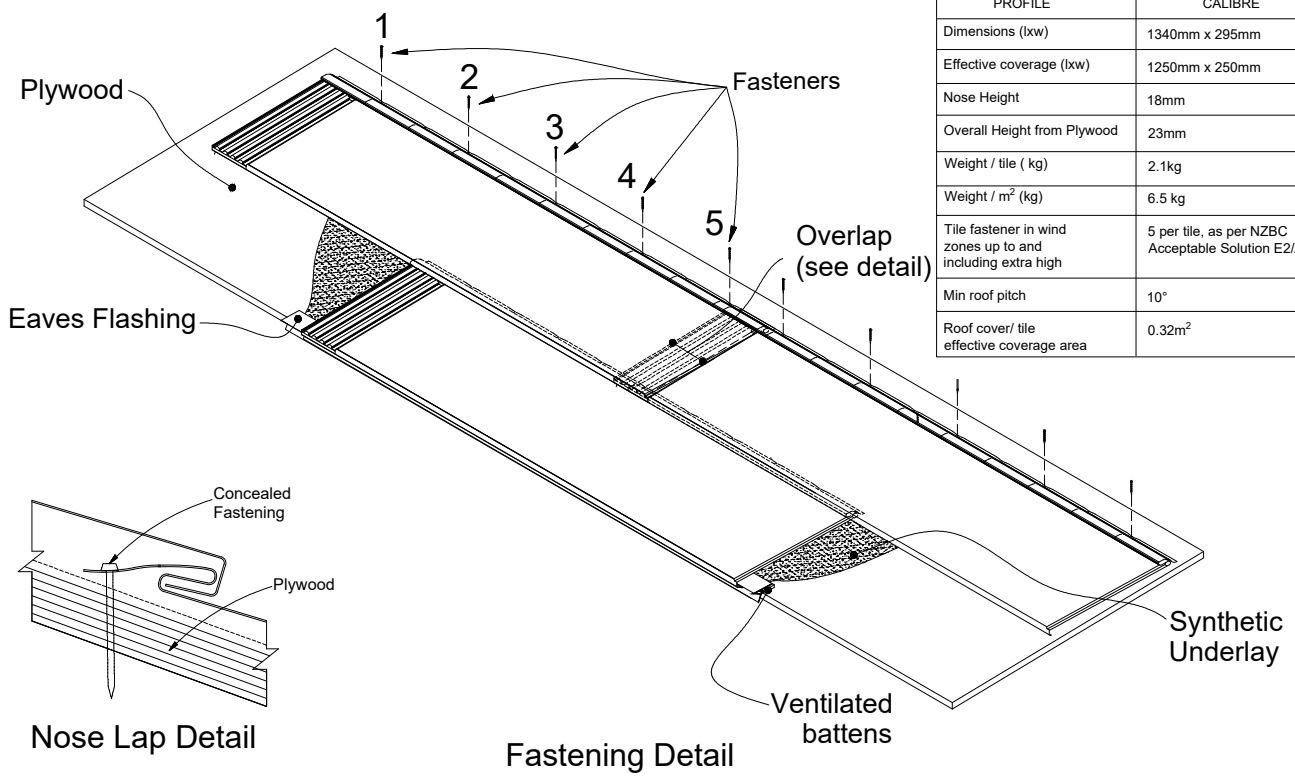
Code:
CFCAP_200A_PD_R01_01_2024

AUS: gerardroofs.com.au
info@gerardroofs.com.au



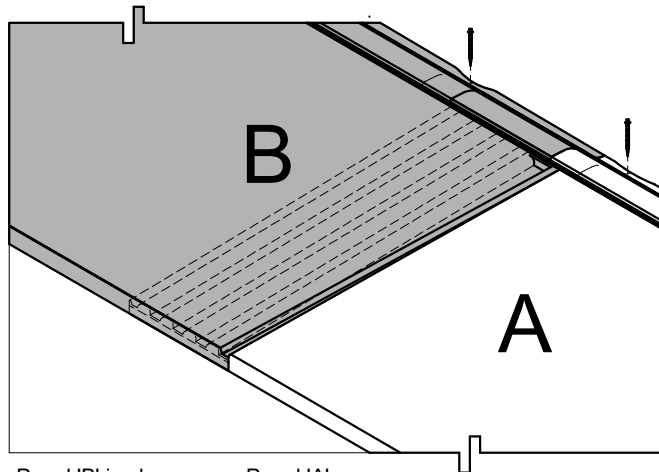
Tile Dimensions

PROFILE	CALIBRE
Dimensions (lxw)	1340mm x 295mm
Effective coverage (lxw)	1250mm x 250mm
Nose Height	18mm
Overall Height from Plywood	23mm
Weight / tile (kg)	2.1kg
Weight / m ² (kg)	6.5 kg
Tile fastener in wind zones up to and including extra high	5 per tile, as per NZBC Acceptable Solution E2/AS1
Min roof pitch	10°
Roof cover/ tile effective coverage area	0.32m ²



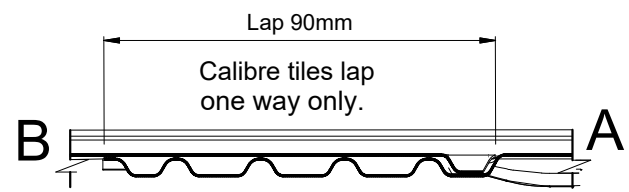
Nose Lap Detail

Fastening Detail

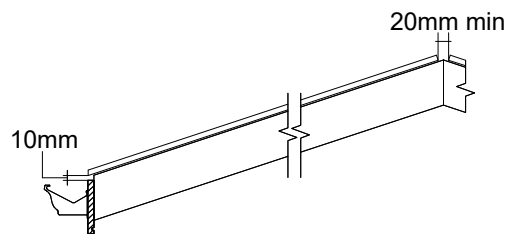


Panel 'B' is always over Panel 'A'.

Overlap Detail



Lap Section Detail



Plywood Layout